

**PanelProX**

**PanelProX**  
**Proximity Reader**

**Installation Manual**

**Part No. 105048**

Parts List	Qty
<b>PanelProx</b> Proximity Reader, complete with 3M cable	1
Lexan Window	1
<b>PanelProx</b> cover label	1
Installation Manual	1

## Mounting Instructions

- The reader is located behind the aperture within the door entry panel.
- Firstly, locate the mounting position and insert the Lexan window supplied over the four mounting studs within the door entry panel. The window has a step, which is mounted toward the outer surface of the panel, completing a flush fitting with the outer surface when fitted in the 40mm window cutout.
- Place the reader label supplied over the same four fixing studs and against the Lexan window, ensuring the **PanelProx** name is oriented correctly.
- Finally, fit the reader over the same studs and fix using screw fixings (supplied by others).
- Route the reader cable to the host access controller. Check the installation meets all relevant electrical codes.
- Check that the correct power supply is applied to the reader. It is intended that the reader be powered from a limited power source output from a previously certified power supply.
- The reader is ready for test, via the host control unit.

## Testing and Operation

- When power is applied to the reader the LED will flash Green three times while the beeper beeps simultaneously. The LED will then turn Red. This indicates the micro controller is functioning correctly.
- Present an ID card to the reader. The LED will momentarily turn Green whilst the beeper beeps once, indicating that the card has been successfully read.

## Important Product Specifications

### Power Requirements (Linear supply)

Operating Voltage Range 5.1 – 16.0 V DC  
 Peak current 80mA  
 Ave. Current 5V or 12V 20mA  
 Max. Reader/host distance 125M

## Connecting the Reader to the Host Controller

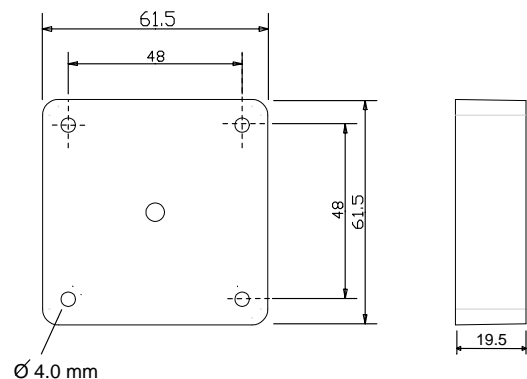
**PanelProx** is a 26-bit Wiegand reader suitable for connection to a wide range of access controllers.

**PanelProx** is HID compatible and may be used in conjunction with the HID range of user tokens. PanelProx may be used also in conjunction with other HID readers on the same installation.

Connection of the reader to the host controller should be in accordance with the wiring table below and also with the host controller operating requirements.

Wire Colour	Function
Red	V+
Black	0V
Yellow	Beeper
Orange	Green LED
White	D1
Green	D0

PanelProx reader dimensions



Lexan window

