

# Product Data Sheet

## **VandalProx™** Vandal Resistant Proximity Reader

The Morley **VandalProx™** range is a tough and rugged proximity door reader specifically designed for external reader requirements. **VandalProx™** has a single piece stainless steel enclosure with a brass housing and painted finish options. All the electronics are fully potted and enclosed for total vandal resistance and complete resistance to the elements.

**VandalProx™** readers have non-standard screw fixings to ensure complete security

**VandalProx™** offers a read range and response performance, which exceeds all others in the vandal reader marketplace. Furthermore, this tough reader is priced to fit the tightest of budgets, without compromising user response or reliability.

The new **VandalProx™** reader is available in Morley and HID standard 26-bit Wiegand output form for general use by any controller accepting HID readers. This means that **VandalProx™** can be used as an external reader, with standard ABS readers for internal applications, on the same system.

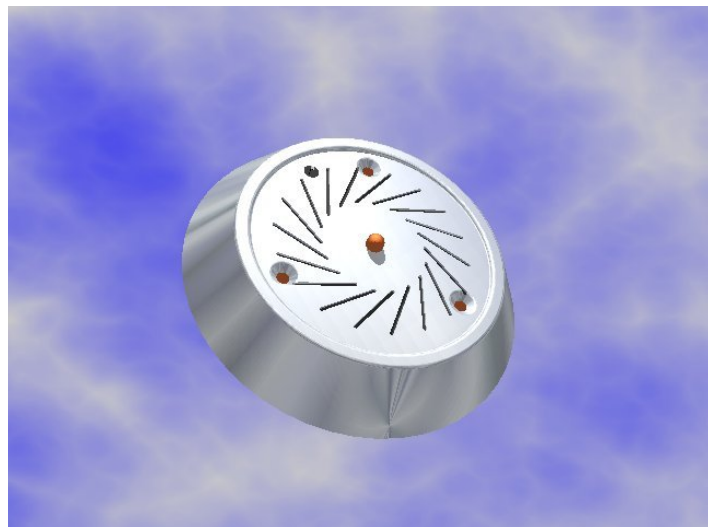
**VandalProx™** has all of the features and performance expected of the HID range, including the ability to be used in existing HID reader applications. What's more, **VandalProx™** reads existing HID tokens and is perfect for system upgrades and refurbishments.

Furthermore, **VandalProx™** reader housings can be provided in stainless steel, Brass, Chrome and White painted steel.

The **VandalProx™** reader range offers high reliability, consistently better read range characteristics, and low power consumption in a single, easy-to-install package. Standard features include a multicolour LED for visual operation as well as a sounder for audible confirmation of token acceptance, rejection and fault condition.

The **VandalProx™** reader is designed for flat mounting directly onto an external surface such as brick, stone or metal.

**VandalProx™** requires only a through hole for cable connection. Each reader is supplied with a 3M flying lead and vandal resistant screws. Once installed, a strong adhesive label covers the fixing points, for increased reader security and function identification.



## Specifications

Typical maximum read range:

- ProxCard® II card up to 4 cm
- ISOProx® II card up to 4 cm
- ProxKey™ II key fob up to 2.5 cm
- ProxCard® Plus card up to 4 cm

Dimensions:

- 100 mm dia. x 18 mm deep

Material:

- 304 Stainless Steel
- Brass
- Painted steel (white as standard, other colours on request)

Power supply:

- 4.75-16 Vdc
- Linear power supplies are recommended.

Maximum current requirements:

- Current (DC)
- Average 35 mA
- Peak 60 mA

Operating temperature:

- -22°F to 150°F (-30° to 65° C)

Operating humidity:

- 0-95% relative humidity non-condensing

Weight:

- Unpacked (reader & cable) 350gm
- Packed weight 390g

Transmit frequency:

- 125 kHz

Certifications:

- CE

Cable Lead:

- 3m Flying lead, 6cores with overall screen

Cable distance:

- Wiegand interface: 125M feet
- Recommended cable is ALPHA 1295 (22 AWG) 5 conductors stranded with overall shield or equivalent.

## Part numbers

- 105047 **VandalProx™** Morley Outdoor HID technology Wiegand reader
- Brass, Chrome and Painted finishes on request

**Morley Electronics Ltd**  
**Unit 34, Moorland Way,**  
**Nelson Park, Cramlington,**  
**Northumberland,**  
**NE23 1WE**

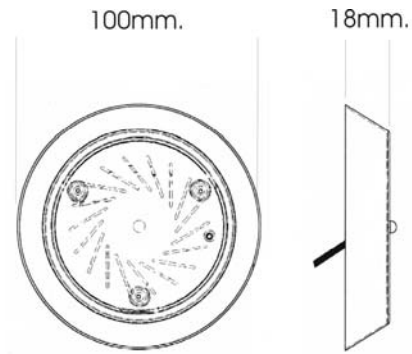
**T: +44 (0) 1670 732444**

**F: +44 (0) 1670 707333**

**Email: [accesssales@morleyuk.co.uk](mailto:accesssales@morleyuk.co.uk)**

**Web: [www.morleyuk.co.uk](http://www.morleyuk.co.uk)**

*Morley Electronics operates a policy of continuous product improvement and reserves the right to change products without notice.*



## Features

**Mounting:** **VandalProx™** readers are designed to be unobtrusive and to mount directly to external surfaces.

**Visual indication:** When a proximity card is presented to the reader, the red LED flashes green.

**Diagnostics:** On reader power-up, an internal self-test routine checks and verifies the set-up configuration and initialises the reader operation. An additional external loop-back test allows for the reader outputs and inputs to be verified without the use of additional test equipment.

**Indoor/outdoor design:** The **VandalProx™** reader is encapsulated in a stainless steel enclosure designed to withstand harsh environments as well as provide complete vandal resistance. This allows reliable performance in all arduous environments.

**Easily interfaced:** The **VandalProx™** reader interfaces with all existing HID Wiegand readers and tokens. This makes **VandalProx™** the perfect reader choice where external mounting is required. Why install an ABS reader, which can be cracked, broken or just look tired and untidy when you can have a stainless steel reader, which will not lose its good looks and will resist the effects of poor weather and heavy use?

**Security:** The **VandalProx™** reader recognises over 137 billion unique codes.

**Warranty:** **VandalProx™** readers are warranted against defects in materials and workmanship for 5 years from date of shipment.

**Presented by**

